

# Innovation Matrix

## Product Catalog

Introducing



*Bridging the Pacific with Automation Technology*

# Adept AnyFeeder™

## Flexible Manufacturing

made possible  
through  
frequent and rapid  
part changeover  
on the same  
AnyFeeder

## Specifications

Payload	
Hopper	10 kg / 22 lb (max)
Field of Vision	240 mm x 320 mm
Connections	
Electrical	1
Pneumatic	1
Serial	1
Digital I/O Channels	8 Inputs 12 Outputs
Weight	35 kg / 77 lb
Power Requirements	24 VDC 10 A
Air Requirements	6 bar / 87 psi compressed air, unlubricated
Environmental Requirements	
Temperature	5 °C to 40 °C
Humidity	5% to 90% (non-condensing)
CE Compliant	



The Adept AnyFeeder addresses flexible feeding needs for various bulk goods. This non-traditional feeding mechanism replaces the need for dedicated feeders. The AnyFeeder is designed to work with a variety of Adept robots, such as the Adept Cobra™ s600. In combination with Adept Vision software and Adept controller, it provides an efficient and fast feeding solution, allowing manufacturing to become more flexible.

## Product Features

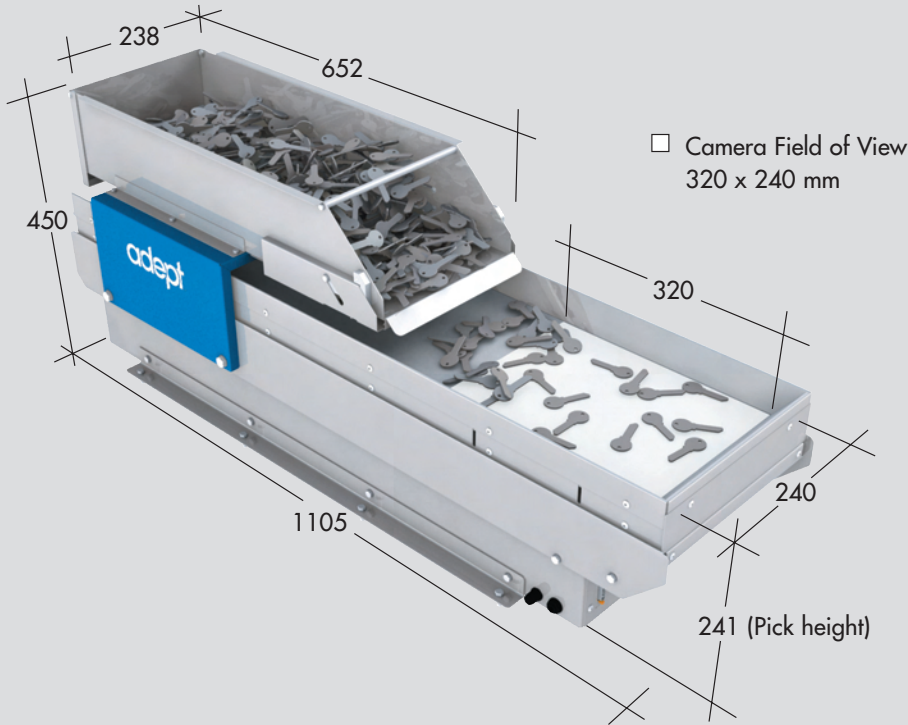
- Brushless servo drives
- Rugged, conveyor-less design
- Integrated bulk feeder
- Precise part presentation platform
- Fast feed, flip, purge
- Automatic purge
- Quick change feed surfaces
- ESD feed surfaces
- Stainless steel design

## Benefits

- Feeds a multitude of products
- Eliminates multiple feeder systems
- Rapid part changeover
- No fixturing required
- Increases productivity
- Dual configuration further increases productivity
- Feeds various material types including plastic, rubber, metal, glass, and others.

# Adept AnyFeeder™

## Dimension Adept AnyFeeder (mm)



## AnyFeeder System includes:

The Adept AnyFeeder System

(Part number 05284-000) includes the following items:

- Adept AnyFeeder (with standard white surface)
- AIM Plug-in Software
- Power/Serial/Parallel DIO cables
- Manual

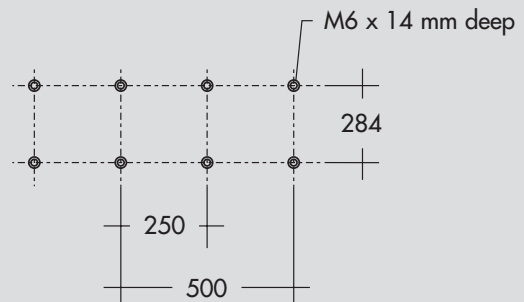
## Options:

- Backlight
  - Red (LED)
  - White (LED)
  - Infrared
- Feed Surfaces
  - Standard White (base)/Black
  - Textured White / Black
  - FDA Approved
  - ESD

## Downloads:

Various CAD file formats and additional information are available under [www.adept.com](http://www.adept.com)

## Drill Hole Pattern Foot Plate (mm)



Adept Technology, Inc. 3011 Triad Drive, Livermore, CA 94551

Tel: 925-245-3400 Fax: 925-960-0452 Email: [info@adept.com](mailto:info@adept.com)

[www.adept.com](http://www.adept.com)

©2006 Adept Technology, Inc. All rights reserved. Adept and the Adept logo are registered trademarks, and the Adept Viper is a trademark of Adept Technology, Inc. All other trademarks are the property of their respective holders. DSAF1206

[www.innovation-matrix.com](http://www.innovation-matrix.com)



**Innovation Matrix, Inc.**

1715 Junction Avenue, Suite B, San Jose, CA 95112 USA

TEL: 408-329-4422

FAX: 408-716-2553

[sales@innovation-matrix.com](mailto:sales@innovation-matrix.com)

**IM Japan:** [japan@innovation-matrix.com](mailto:japan@innovation-matrix.com)

**IM Taiwan:** [taiwan@innovation-matrix.com](mailto:taiwan@innovation-matrix.com)

**IM Beijing:** [beijing@innovation-matrix.com](mailto:beijing@innovation-matrix.com)