

Mecha Industry **MHD Miniature Servo Hand**

MHD Miniature Servo Hand is an intelligent Servo hand. It is suited for environment where you cannot use air and for the processes that you have to adjust the gripping force. It is a low cost, compact servo hand with high stiffness and high precision.

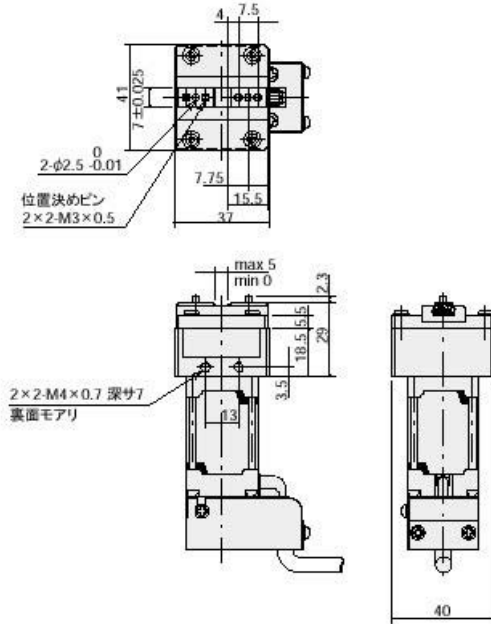


Motion Stroke (mm): 5.9
 Grip Force (N): 5.5
 Repeatability (mm): ± 0.03

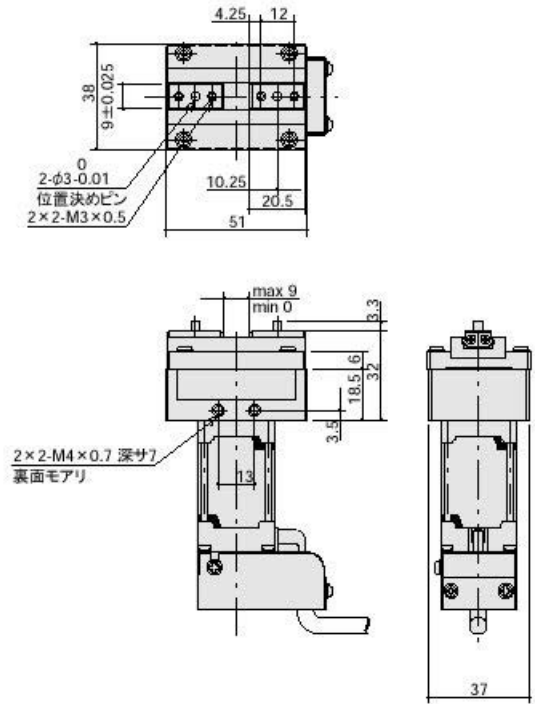
Specification:

Item	Unit	NHD05-5	MHD05-9	MHD20-40
Motion Stroke	mm	5	9	40
Max. Finger Length	mm	80	90	150
Grip Force	N	5	5	20
Motion Time (10%)	sec	0.022	0.037	0.1048
Motion Time (Full Stroke 100%)	sec	0.011	0.018	0.03375
Repeatability	mm	+/- 0.01	+/- 0.01	+/- 0.01
Settle Accuracy	mm	+/- 0.05	+/- 0.05	+/- 0.05
Motor Type	W	CM1-C-11L30-S(18W)	CM1-C-11L30-S(18W)	CM1-X-17L30 (18W)
Control Method		Closed Loop Vector Control	Closed Loop Vector Control	Closed Loop Vector Control
Encoder		Incremental Magnetic Encoder 50,000 Pulse/Rev.	Incremental Magnetic Encoder 50,000 Pulse/Rev.	Incremental Magnetic Encoder 50,000 Pulse/Rev.
Input Power Supply	V	DC24V +/- 10%	DC24V +/- 10%	DC24V +/- 10%
Ambient Temperature	Degree C	0-40	0-40	0-40
Moment Mx	Nm	0.52	2.6	0.85
Moment My	Nm	0.52	2.6	0.85
Moment Mz	N.m	0.35	1.14	0.89
Moment F	N	32	144	57
Mass	Kg	0.41	0.46	0.7

NHD0505



MHD05-9



MHD20-40

